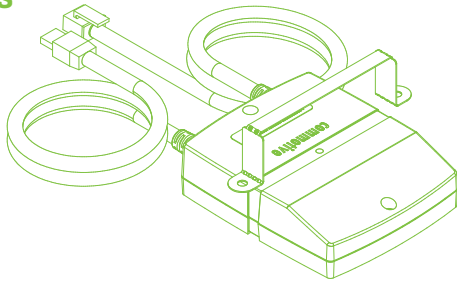
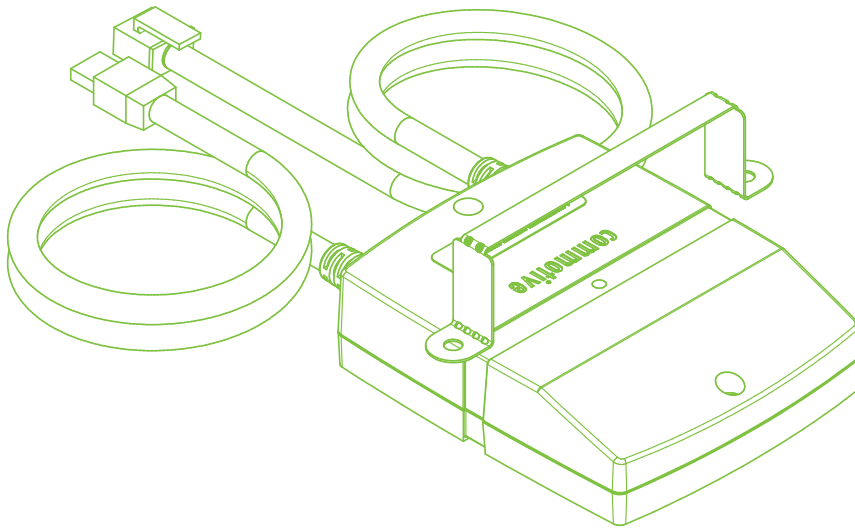


Z402 installation manual

Contents



Installation on wall



Cable connections:

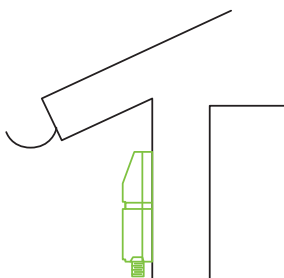
- Plug in LAN connector
- Connect USB plug to adapter
- Connect adapter to 230V

Note:

- LAN plug and adapter must be mounted indoor.
- Port 13000 must be open in the network.
Ask IT department.

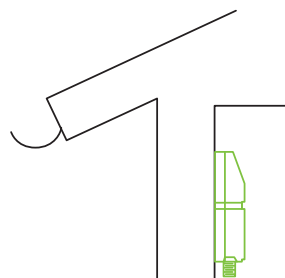
Watch during installation

It is recommended to install the Z402 unit on the same side of the building as the parking lot.
The unit should be installed with cable entries downwards.



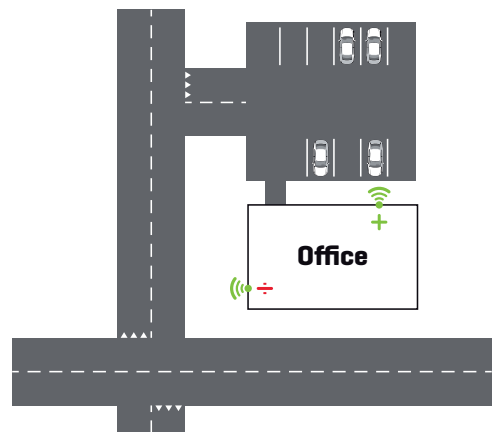
Outdoor

Protect against direct water impact



Indoor

Reading distance reduced



Write information about placement and name on backside of the packing.

Above information should be handed over to owner/administrator who will register it on: WWW.5FLEET.COM